



## 0-421-70 90° Universal Work Lamp with 60° Flood Beam

Durite's Universal Worklamp with 90° bracket for either horizontal or vertical fixture. Flood beam 60°. 10-30VDC.

LED Chip: 3030 LED

Theoretical Power 22.5W

Actual Power 15W

Effective Lumen:2013 lm

Optional Beam: Flood 60°

Certificate:CE, UKCA, RoHS, IP67, IP69K, Emark R10

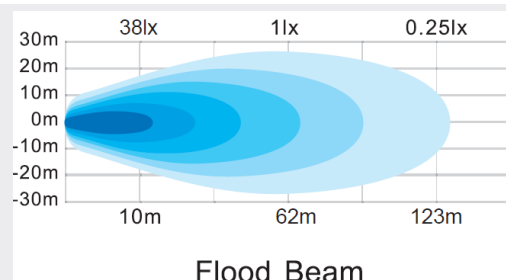
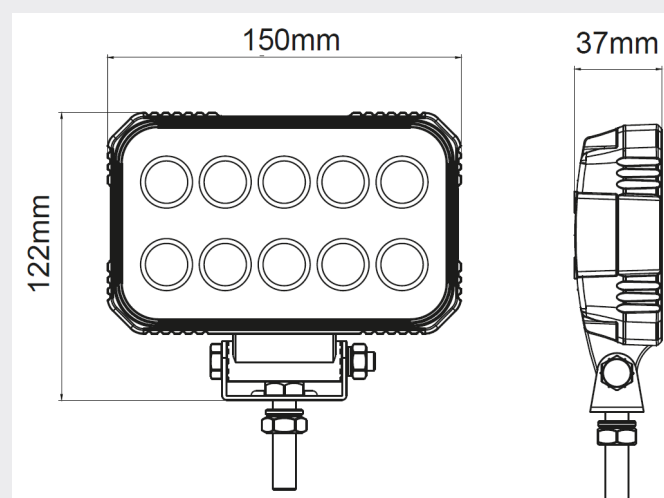


**THE TRUSTED QUALITY BRAND FOR PROFESSIONALS**

## TECHNICAL SPECIFICATIONS

Type	Universal Work Lamp 60° Flood Beam
LED's	10 x 1.5W 3030 LED's
Voltage	10-30V
Power	22.5W Theoretical (Actual 15W)
Lumens	2013 Effective Lumens
Colour Temperature	5700K
Current Draw	1.59A @ 12VDC, 0.84A @ 24VDC
Housing	Die Cast Aluminium ADC12
Bracket	SS304
Lens	Polycarbonate
IP Rating	IP67, IP69K
Weight	0.700Kg
Dimensions	See below diagram
Operating Temperature	-20°C ~ 50°C
Storage Temperature	-30°C ~ 60°C
Certificate	E Marked R10.05 EMC, RoHS, CE. UKCA

## TECHNICAL DRAWING



Flood Beam